

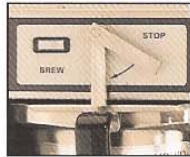
Single 1.5 Gallon Thermal Coffee Brewing System

CBS 5000
S E R I E S
TPD STYLE

CBS-51H

The Ultimate Coffee Machine. Your Answer to Brewing The Best Tasting Coffee Consistently Day After Day...

Developed with proprietary designs and technologies, FETCO® equipment ensures safety and integrity of each brew with innovative designs such as:



- Dual Brew Basket Safety Lock Incorporated Into Start Switch



- Stainless Steel Gourmet Size Brew Basket Designed For Heavier Brew Ratios

FETCO® Brewers Utilize The Most Recent Technological Advances In Coffee Brewing In Order To:

- Hold A Constant Water Temperature During 100% Of Brew Cycle
- Maintain Sprayover Volume Consistency
- Resist Lime Buildup Inside Dispense Tube System
- Utilize All Solid State Components



The LUXUS® Thermal Dispenser
Totally portable, requires no electric power.

Once filled and capped, it goes anywhere...Ready to act as your remote dispensing station wherever needed.

You can prepare them ahead of time and place them where you want them. It is important to note that the LUXUS® thermal dispenser can be staff-operated or used as a self-service system



CBS-51H in Stainless Steel finish and with 1.5 gallon TPD style LUXUS® Thermal Dispenser Dispenser sold separately.

FETCO®
CORPORATION

CBS-51H

Standard Features:

- Stainless Steel, Gourmet Size Coffee Brew Basket
- Brew Basket Double Safety Lock
- Open-Type, Leak-Free Dispense System
- Fully Automatic With Electronic Type Temperature Control
- Mercury Type Power Contactor
- Two-Level Tank Drain System
- Total Serviceability From The Front
- Hot Water Service

Optional Features:

- Half Batch Brewing Capability
- Iced Tea Brewing Capability
- Color Stainless Steel Finish
- Custom & Export Voltage

Accessories:

- 1.5 Gallon LUXUS® Thermal Dispensers
- Drip Tray

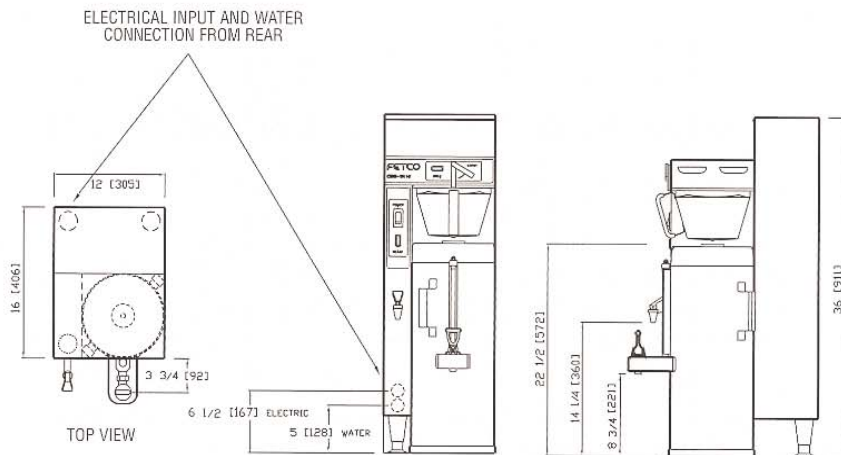
Shipping Dimensions:

Set: 35" x 14" x 23"

Shipping Weight:

Total: 66 lbs

Dimensions & Specifications



Water Requirements: 20-75 psig, 0.5 gpm flow rate. Water inlet is 3/8 Male Flare
Tank Capacity: 3.7 gallons

Standard Electrical Configurations & Brewing Efficiency

Electrical Config. Code	Heater Configuration	Voltage	Phase	Wires	KW	Maximum Amp draw	Brews per Hour	
							Cold Water	Hot Water
C51016	1 x 1800 watt	120	single	2 + ground	1.9	15.5	3.0	6.8
C51026	1 x 3000 watt	120/208	single	3 + ground	2.3	11.3	3.7	8.6
		120/220	single	3 + ground	2.6	12.0	4.3	10.0
		120/240	single	3 + ground	3.1	13.0	5.0	11.0
C51036	1 x 4000 watt	120/208	single	3 + ground	3.4	14.9	5.0	11.0
		120/220	single	3 + ground	3.4	15.8	5.8	11.0
		120/240	single	3 + ground	4.1	17.2	6.6	11.0
C51046	2 x 3000 watt	120/208	single	3 + ground	4.6	22.1	7.4	11.0
		120/220	single	3 + ground	5.2	23.4	8.6	11.0
		120/240	single	3 + ground	6.1	25.5	9.9	11.0
C51056**	2 x 4000 watt	120/208	single	3 + ground	6.1	29.3	9.9	11.0
C51996	Custom Export Voltage – Consult Factory							

** Version is rated for 208 volts maximum

This product is approved by one or more of the following marks:



Patents & Approvals:

U.S. Pat. Nos. 5,000,082; 5,331,885.
Other patents pending.
International patents apply.

FETCO® Corporation is a proud and active member of these organizations:



FETCO®
CORPORATION

Food Equipment Technologies Company
640 Heathrow Drive, Lincolnshire, IL 60069 USA
Phone: 847.821.1177 800-FETCO 99 Fax: 847.821.1178
Internet: www.fetco.com E-mail: sales@fetco.com

FETCO & LUXUS are both trademarks or tradenames of Food Equipment Technologies Company. All other trademarks or tradenames are trademarks or tradenames of their respective owners.

CBS-61H Volume Coffee at Your Fingertips

- Patented Gravity Dispense Tube System resists lime build up to provide dependable performance
- Holds a constant water temperature during 100% of brew cycles
- Maintains sprayover volume consistency
- Utilizes all solid state components



CBS-62H with two
TPD-3.0 LUXUS® dispensers



Brew basket safety locks incorporated into start switch



Stainless steel gourmet-size brew baskets designed for heavier brew ratios



Brews directly into our 3.0 gallon LUXUS® TPD-style Dispenser



LUXUS® TPD-30

Water Specifications

Water Inlet <i>inch</i>	Flow Rate <i>gpm</i>	Water Pressure <i>psig</i>
3/8 Male Flare	1.5	20-75

Measurements

Height <i>inch</i>	Width <i>inch</i>	Depth <i>inch</i>	Empty Weight <i>lbs</i>	Shipping Weight <i>lbs</i>
40	21 3/8	22 3/8	111	115

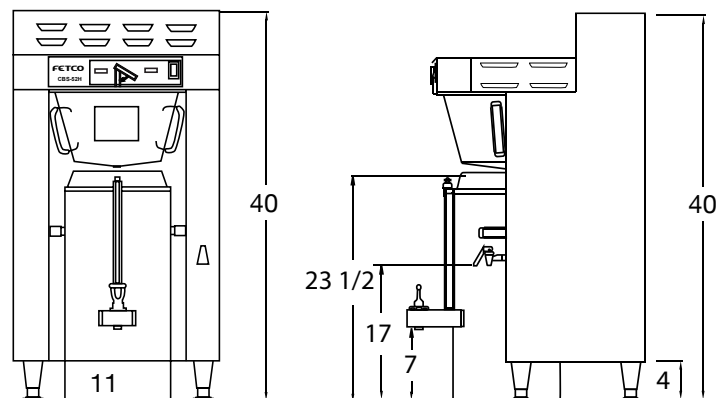
Standard Electrical Configurations

Config. Code	Heater Config.	Voltage	Phase	Wires	KW	Max Amp Draw	Batches/Hour (1)	
							<i>cold water</i>	<i>hot water</i>
C61016	2x3.0 KW	120/208	1	3+G	4.6	22.1	3.7	8.6
		120/220			5.2	23.4	4.3	9.0
		120/240			6.1	25.5	5.0	9.0
C61026	2x4.0 KW	120/208	1	3+G	6.1	29.3	5.0	9.0
		120/220			6.8	31.0	5.8	9.0
		120/240			8.1	33.8	6.6	9.0
C61036(1)	3x3.0 KW	120/208	3	4+G	6.9	19.5	5.6	9.0
		120/220			7.7	20.6	6.5	9.0
		120/240			9.1	22.4	7.4	9.0
C61046(1)	3x4.0 KW	120/208	3	4+G	9.1	25.8	7.4	9.0
		120/220			10.3	27.3	8.6	9.0
		120/240			12.1	29.7	9.0	9.0
C61146(1)	3x4.0 KW	480	3	3+G	12.1	14.9	9.0	9.0
* C61076(1)	3x3.0 KW	220/380	3	4+G	7.6	12	7.4	9.0
* C61086(1)	3x4.0 KW	220/380	3	4+G	10.1	15.3	9.0	9.0
* C61126(1)	3x3.0 KW	240/415	3	3+G	9.1	12.9	7.4	7.4
* C61136(1)	3x4.0 KW	240/415	3	3+G	12.1	17.5	9.0	9.0

Specifications subject to change without notice

(1) Based on standard factory settings : 4.0 minute brew time, 0% prewet, 200°F water

*EXPORT ONLY



CBS-61H Volume Coffee at Your Fingertips

- Patented Gravity Dispense Tube System resists lime build up to provide dependable performance
- Holds a constant water temperature during 100% of brew cycles
- Maintains sprayover volume consistency
- Utilizes all solid state components



CBS-62H with two
TPD-3.0 LUXUS® dispensers



Brew basket safety locks incorporated into start switch



Stainless steel gourmet-size brew baskets designed for heavier brew ratios



Brews directly into our 3.0 gallon LUXUS® TPD-style Dispenser



LUXUS® TPD-30

Water Specifications

Water Inlet <i>inch</i>	Flow Rate <i>gpm</i>	Water Pressure <i>psig</i>
3/8 Male Flare	1.5	20-75

Measurements

Height <i>inch</i>	Width <i>inch</i>	Depth <i>inch</i>	Empty Weight <i>lbs</i>	Shipping Weight <i>lbs</i>
40	21 3/8	22 3/8	111	115

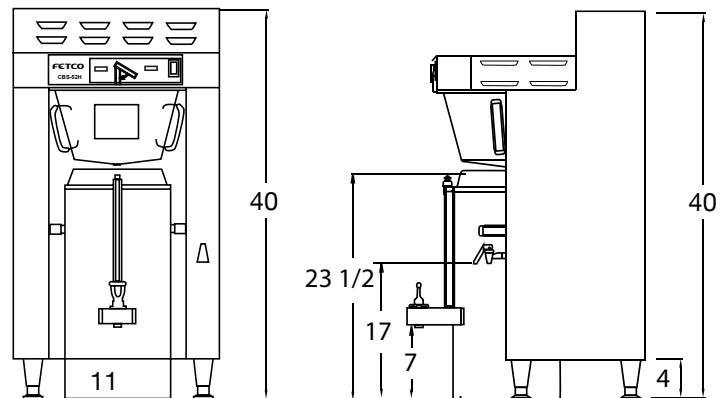
Standard Electrical Configurations

Config. Code	Heater Config.	Voltage	Phase	Wires	KW	Max Amp Draw	Batches/Hour (1)	
							<i>cold water</i>	<i>hot water</i>
C61016	2x3.0 KW	120/208	1	3+G	4.6	22.1	3.7	8.6
		120/220			5.2	23.4	4.3	9.0
		120/240			6.1	25.5	5.0	9.0
C61026	2x4.0 KW	120/208	1	3+G	6.1	29.3	5.0	9.0
		120/220			6.8	31.0	5.8	9.0
		120/240			8.1	33.8	6.6	9.0
C61036(1)	3x3.0 KW	120/208	3	4+G	6.9	19.5	5.6	9.0
		120/220			7.7	20.6	6.5	9.0
		120/240			9.1	22.4	7.4	9.0
C61046(1)	3x4.0 KW	120/208	3	4+G	9.1	25.8	7.4	9.0
		120/220			10.3	27.3	8.6	9.0
		120/240			12.1	29.7	9.0	9.0
C61146(1)	3x4.0 KW	480	3	3+G	12.1	14.9	9.0	9.0
* C61076(1)	3x3.0 KW	220/380	3	4+G	7.6	12	7.4	9.0
* C61086(1)	3x4.0 KW	220/380	3	4+G	10.1	15.3	9.0	9.0
* C61126(1)	3x3.0 KW	240/415	3	3+G	9.1	12.9	7.4	7.4
* C61136(1)	3x4.0 KW	240/415	3	3+G	12.1	17.5	9.0	9.0

Specifications subject to change without notice

(1) Based on standard factory settings : 4.0 minute brew time, 0% prewet, 200°F water

*EXPORT ONLY



CBS-52H15 1.5 Gallon Coffee Brewer

- Patented Gravity Dispense Tube System resists lime build up
- Holds a constant water temperature during 100% of brew cycle
- Maintains sprayover volume consistency
- Utilizes all solid state components



CBS-52H15 with two 1.5 Gallon **LUXUS®** dispensers



Dual brew basket safety locks incorporated into start switch



Brews directly into FETCO® 1.5 gallon **LUXUS®** Thermal Dispensers

LUXUS® TPD, LD, LS, L3D & L3S Dispensers



Water Specifications

Water Inlet <i>inch</i>	Flow Rate <i>gpm</i>	Water Pressure <i>psig</i>
3/8 Male Flare	1.25	20-75

Measurements

Height <i>inch</i>	Width <i>inch</i>	Depth <i>inch</i>	Empty Weight <i>lbs</i>	Shipping Weight <i>lbs</i>
36	21	19 1/2	82	100

Standard Electrical Configurations

Config. Code	Heater Config.	Voltage	Phase	Wires	KW	Max Amp Draw	Batches/Hour (1)	
							<i>cold water</i>	<i>hot water</i>
C52016	2x3.0 KW	120/208	1	3+G	4.6	22.4	7.7	17.2
		120/220			5.2	23.7	8.6	19.2
		120/240			6.1	25.8	10.2	22.0
C52026	2x4.0 KW	120/208	1	3+G	6.1	29.6	9.9	22.0
		120/220			6.8	31.3	11.5	22.0
		120/240			8.1	34.1	13.2	22.0
C52036(1)	3x3.0 KW	120/208	3	4+G	6.9	19.5	11.2	22.0
		120/220			7.7	20.6	12.9	22.0
		120/240			9.1	22.4	14.9	22.0
C52046(1)	3x4.0 KW	120/208	3	4+G	9.1	25.8	14.9	22.0
		120/220			10.3	27.3	17.3	22.0
		120/240			12.1	29.7	19.8	22.0
C52186(1)	3x4.0 KW	480	3	3+G	12.1	15.2	19.8	22.0
*C52076(1)	3x3.0 KW	220/380	3	4+G	7.7	11.9	14.9	22.0
*C52086(1)	3x4.0 KW	220/380	3	4+G	10.1	15.3	14.8	22.0
*C52096	2x3.0 KW	220/240	1	2+G	5.1/6.1	23.7/25.8	10.2	22.0
*C52106	2x4.0 KW	220/240	1	2+G	6.8/6.1	31.3/34.1	13.2	22.0
*C52116(1)	3x3.0 KW	220/240	3	3+G	7.7/9.1	20.6/22.5	14.9	22.0
*C52126(1)	3x4.0 KW	220/240	3	3+G	10.2/12.1	27.3/29.7	14.8	22.0

Specifications subject to change without notice

(1) Based on standard factory settings : 4.0 minute brew time, 0% prewet, 200°F water

*EXPORT ONLY

